



# 500



## Owner's Manual

# Welcome

Thank you for your purchase of pureAir 500. This air purifier has been designed to provide you a cleaner living space with years of low maintenance operation.

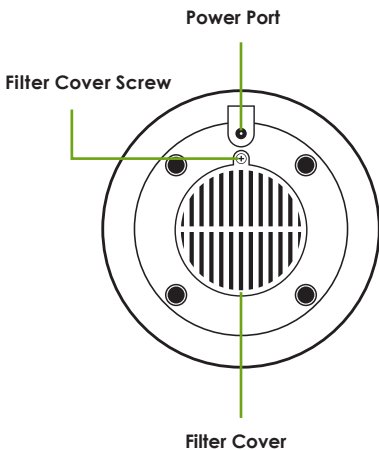
Please read through the usage and service instructions outlined in this owner's manual.

## Table of Contents

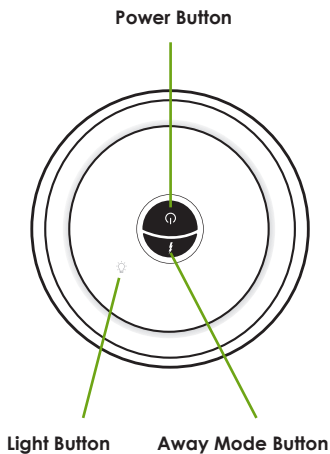
|                                      |   |
|--------------------------------------|---|
| Diagrams/Warnings . . . . .          | 3 |
| Getting Started. . . . .             | 4 |
| Modes . . . . .                      | 4 |
| Light/Cleaning/Maintenance . . . . . | 5 |
| Filter Replacement . . . . .         | 5 |
| Specifications . . . . .             | 6 |
| Warranty Information . . . . .       | 7 |

# Diagrams/Warnings

## BOTTOM



## TOP



Do not operate this unit unless it is completely assembled.



Do not block the ventilation or filter.



Do not use Away Mode in a space occupied by people or pets.



There are no user-serviceable parts inside the unit.



This unit is not intended for outdoor use.

# Getting Started

1. Locate a suitable location to place your unit. (Ideal location is an area of the room with good circulation, or near the source of pollution.)
2. Plug the *Power Adapter* into a wall outlet and then plug the other end into *Power Port* of your unit.
3. Press the *Power Button* to once turn your unit *ON* (begins in *Ionization Mode*). Press it again to change to *Purification Mode*. Press it one more time to turn the unit *OFF*.
4. Press the *Away Mode Button* on the top of your unit to activate the *Away Mode (Red Light)*.

**NOTE:** Your unit will revert back to its previous mode after the 30 minute cleaning cycle has ended. *Away Mode* can also be activated while the unit is *OFF*. Once complete, your unit will shut *OFF*.

**NOTE:** Once your unit is turned *OFF*, it will continue to operate for 30 seconds to clear any ozone remaining inside.

## Modes

### Ionization Mode (Green Light)

Ionization Mode is your unit's default mode. This mode utilizes ionization, which charges the particulates in the air until they clump together and fall out of your breathing space, and HEPA type filtration with a carbon filter for removing airborne particulates such as smoke, pollen, and pet dander.

### Purification Mode (Blue Light)

In addition to the benefits of Ionization, Purification Mode creates safe levels of Activated Oxygen (O<sub>3</sub>), which destroys bacteria, viruses, mold, and mildew in the air and on surfaces.

### Away Mode (Red Light)

High Power Purification Mode creates Activated Oxygen (O<sub>3</sub>) and Ionization for a powerful 30 minute cleaning cycle before reverting back to the previous mode setting.

**NOTE:** Activated Oxygen can cause temporary respiratory and eye irritation. Keep people and pets out of the space when using *Away Mode*.

# Light

The internal light can be turned ON/OFF by pressing the touch-sensitive **Light Button** on the top panel.

**NOTE:** The light will activate for 3 seconds when changing Modes with the light OFF to notify you of which mode is active.

# Cleaning

**NOTE:** For proper operation, the unit should be cleaned at least once per month.

1. Turn the unit OFF and remove the *Power Plug*.
2. Remove the *Filter Screw* from the *Filter Cover*.
3. Carefully remove the *Filter* from the unit.

**WARNING:** No part of this unit should come into contact with water during cleaning.

4. Blow the *Filter* out with compressed air or use a vacuum to remove dust or debris.
5. Blow the interior of your unit out with compressed air.
6. Replace the *Filter*, *Filter Cover*, and *Filter Cover Screw*.
7. Plug your unit in and return it to your previously set mode.

# Maintenance

If your unit has stopped working properly, refer to your *Warranty Information (Page 7)* for coverage and replacement instructions.

## Filter Life (Part Name: pureAir 500 Filtration Cartridge)

Filter life depends upon the level of pollutants in the space being cleaned. Filters should be replaced once a year to ensure the highest quality of purification. Additional filters can be purchased through GreenTech Environmental or a GreenTech Environmental retailer.

# Specifications

|                            |                                |
|----------------------------|--------------------------------|
| Model . . . . .            | PUREAIR500-US-L                |
| Input Voltage . . . . .    | 110 - 240VAC   50/60Hz         |
| Output Voltage . . . . .   | 12V DC                         |
| Power Consumption. . . . . | 10W                            |
| Unit Dimensions. . . . .   | 9.00'' H x 6.25'' W x 6.25'' D |
| Unit Weight . . . . .      | 1.63 lb                        |
| Ozone Output. . . . .      | 200 mg/hr                      |
| Effective Area. . . . .    | 650 - 850 ft <sup>2</sup>      |
| Warranty . . . . .         | 1 Year Manufacturer's Warranty |



# Warranty Information

Your pureAir 500 Air Purifier is warranted to be free from all defects in material and workmanship in normal household use for a period of **1 Year** from date of purchase. The warranty is granted only to the original purchaser and members of his or her immediate household. The warranty is subject to the following provisions. Any damages or malfunctions caused by negligence, abuse, or use not in accordance with the Owner's Manual are not covered by this warranty. Likewise, any defects or damages caused by unauthorized service are not covered. GreenTech Environmental will, at its option, repair or replace a defective Air Purifier that is covered by this warranty. As a matter of warranty policy, GreenTech Environmental will not refund the customer's purchase price. To obtain warranty service you must return the defective Air Purifier along with proof of purchase to the pureAir Authorized Warranty Station. All transportation charges on parts, or units, submitted under this Warranty shall be borne by purchaser. Unless this Warranty is expressly renewed or extended by GreenTech Environmental, any repaired or replaced part of unit shall be warranted to the original purchaser only for the length of the unexpired portion of the original warranty.

## FURTHER LIMITATIONS AND EXCLUSIONS ARE AS FOLLOWS:

Any warranty that may be implied in connection with your purchase or use of the Air Purifier, including any warranty of merchantability or any warranty for Fitness For A Particular Purpose is limited to the duration of this warranty. Some states do not allow limitations on how long an implied warranty lasts, so the above limitations may not apply to you.

Your relief for the breach of this warranty is limited to the relief expressly provided above. In no event shall pureAir be liable for any consequential or incidental damages you may incur in connection with your purchase or use of the Air Purifier. Some states do not allow the exclusion or limitation of incidental or consequential damages, so the above limitation or exclusion may not apply to you. This warranty gives you specific legal rights, and you may also have other rights which vary from state to state.

## REGISTRATION

Please register your new pureAir product within 10 days of purchase by visiting:

[www.GreenTechEnv.com/Warranty](http://www.GreenTechEnv.com/Warranty)



OM Revision: GTE-pureAir\_500-L-Owners\_Manual-180724

[www.GreenTechEnv.com](http://www.GreenTechEnv.com)